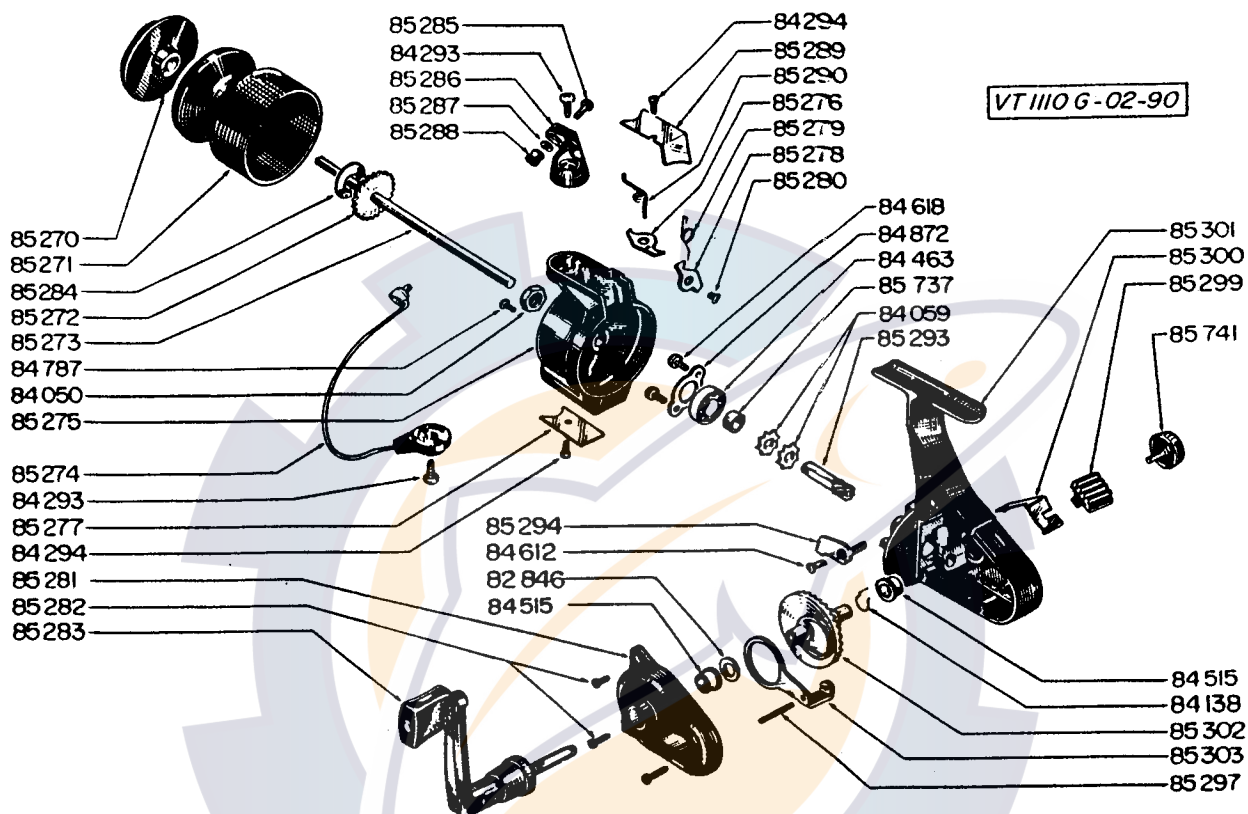


MITCHELL®

1110 G



Part No. Description

Part No. Description

8284600 SHIM - DRIVE GEAR
 8405000 HEX NUT
 8405900 ANTI-REVERSE RATCHET
 8413800 ANTI-REVERSE FRICTION
 8429300 BAIL ARM SCREW
 8429400 COVER PLATE SCREW - N1 & N2
 8446300 BALL BEARING
 8451500 BUSHING
 8461200 ANTI-REVERSE SCREW
 8461800 PINION KIT SCREW
 8478700 HEX NUT SCREW
 8487200 BEARING PLATE
 8527000 DRAG KNOB
 8527100 SPOOL
 8527200 CLICK GEAR
 8527300 AXLE
 8527400 BAIL WIRE ASSEMBLY
 8527500 ROTATING HEAD
 8527600 TRIP LEVER
 8527700 COVER PLATE - N2
 8527800 TRIP LEVER
 8527900 TRIP LEVER SPRING

8528000 TRIP LEVER SCREW
 8528100 SIDE PLATE
 8528200 SIDE PLATE SCREW
 8528300 HANDLE
 8528400 SPOOL WASHER
 8528500 BAIL WIRE SCREW
 8528600 BAIL ARM
 8528700 LINE GUIDE RACE
 8528800 LINE GUIDE WASHER
 8528900 COVER PLATE - N1
 8529000 BAIL SPRING
 8529300 PINION
 8529400 ANTI-REVERSE DOG
 8529700 OSCILLATION ARM RETAINER
 8529900 ANTI-REVERSE LEVER
 8530000 ANTI-REVERSE CAM
 8530100 HOUSING
 8530200 DRIVE GEAR
 8530300 OSCILLATION ARM
 8573700 BEARING SPACER
 8574100 HANDLE CAP